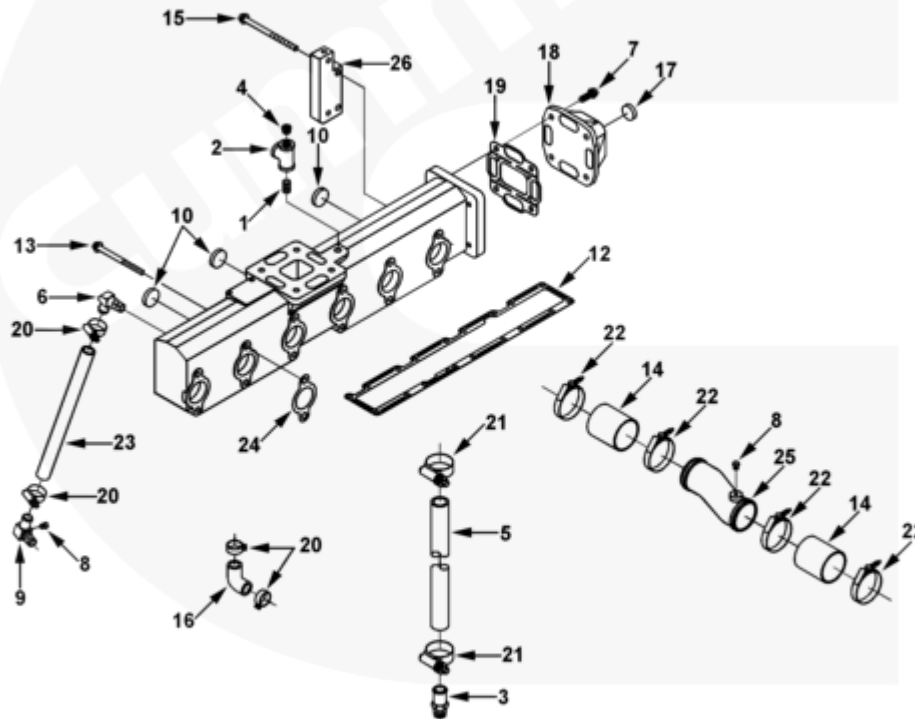




## Parts Catalog - Option Detail

Electronic Parts Catalog - Option Detail				
Option	Group	Graphic	Film Card	Date
TB9689-03	10.06.1	tb967gp	Z	13-NOV-01
<b>Engines</b>	6C8.3, C GAS PLUS CM556, G8.3, G8.3 CM558, GTA8.3 CM558, ISC CM2150, ISC CM554, ISC CM850, ISC8.3 CM2250, ISC8.3 G CM2180 C101, ISL CM2150, ISL CM554, ISL CM850, ISL G CM2180, ISL8.9 CM2150 L110, ISL8.9 CM2880 L112, ISL9 CM2150 SN, ISL9 CM2250, ISL9 CM2350 L101, ISL9 CM2350 L111, ISLE4 CM850, L GAS PLUS CM556, L8.9, L8.9 L121, L8.9G CMOH2.0 L125B, L9 CM2350 L116B, L9 CM2350 L119B, L9 CM2350 L120C, L9 CM2350 L123B, L9.3 L105, L9.5 L117, L9N CM2380 L124B, QSC8.3 CM2250, QSC8.3 CM2880 C102, QSC8.3 CM554, QSC8.3 CM850(CM2850), QSL9 CM2250, QSL9 CM2250 L115, QSL9 CM2350 L102, QSL9 CM2350 L107, QSL9 CM2350 L118, QSL9 CM2350 L122, QSL9 CM554, QSL9 CM850(CM2850), QSL9 G CM558, QSL9 M CM2250 L106, QSL9.3 CM2880 L113			

©Cummins Inc



tb967gp

SMALL | MEDIUM | LARGE

Cart	Ref No	Part Number	Part Description	Required	Remarks
View My Cart					
		TB9689-03	Turbocharger Location		
					Engine Family: "C" Series
					Cylinders: 6
					Exhaust Outlet Location:
					HMFO
					Turbocharger Exhaust Loc From
					Front Face Of Block (mm):
					Exhaust vert from crank
					centerline (mm):
					Exhaust horizontal crank
					centerline (mm):
					Aspiration:
					Jacket Water Aftercooled
					Oil supply routing: Outboard
					Exhaust manifold type: Wet
					Intake cover provided: No
					Intake connection
					Orientation: Rear
					Turbine outlet flange type:
					4 bolt flange.
					Turbocharger max CRR
					orientation frm FP horizontal
					(deg): 270
					Turbocharger Type: Non-
					Wastegate
					Requires Air Heater/spacer:
					No
					Additional Mounting Bosses:

					4
					Turbocharger Drain Location:
					Bottom
					Drain bearing housing
					manufacturer: Holset
					Compressor angle: 198
					Turbine angle: 5
					Turbocharger Drain Tube Type:
					Flexible
					Exhaust support flange:
					2-m14 38.76mm apart
					Base turbocharger ID17
					number: 3593680.
<input type="checkbox"/>	1	<a href="#">S 920</a>	Plain Pipe Nipple	1	
<input type="checkbox"/>	2	<a href="#">S 960</a>	Female Pipe Tee	1	
<input type="checkbox"/>	3	<a href="#">215921</a>	Plain Hose Coupling	2	3/4 NPTF x 1 in.
<input type="checkbox"/>	4	<a href="#">3008468</a>	Pipe Plug	1	1/2 NPT.
<input type="checkbox"/>	5	<a href="#">3031367</a>	Plain Hose	1	
<input type="checkbox"/>	6	<a href="#">3282322</a>	Elbow Hose Coupling	1	
<input type="checkbox"/>	7	<a href="#">3903112</a>	Hexagon Flange Head Cap Screw	4	M10 X 1.50 X 30.
<input type="checkbox"/>	8	<a href="#">3906619</a>	Pipe Plug	1	1/8 NPT.
		<a href="#">3908225</a>	Hose Coupling	1	
<input type="checkbox"/>	8	<a href="#">3906619</a>	Pipe Plug	1	1/8 NPT.
<input type="checkbox"/>	9	<a href="#">3908221</a>	Elbow Hose Coupling	1	
<input type="checkbox"/>		<a href="#">3912107</a>	Exhaust Manifold	1	
<input type="checkbox"/>	10	<a href="#">3908092</a>	Expansion Plug	3	
	11	<a href="#">3911746</a>	Exhaust Manifold	1	
<input type="checkbox"/>	12	<a href="#">3936993</a>	Intake Manifold Cover Gasket	1	
<input type="checkbox"/>	13	<a href="#">3916518</a>	Hexagon Flange Head Cap Screw	8	M10 X 1.50 X 125.

<input type="checkbox"/>	14	<a href="#">3916529</a>	Plain Hose	2	
<input type="checkbox"/>	15	<a href="#">3918498</a>	Hexagon Flange Head Cap Screw	4	M10 x 1.50 x 145
<input type="checkbox"/>	16	<a href="#">4058340</a>	Elbow Hose	1	
<input type="checkbox"/>		<a href="#">3920946</a>	Water Transfer Connection	1	
<input type="checkbox"/>	17	<a href="#">3007636</a>	Expansion Plug	1	
	18	<a href="#">3920945</a>	Water Transfer Connection	1	
<input type="checkbox"/>	19	<a href="#">3921926</a>	Turbocharger Gasket	1	
<input type="checkbox"/>	20	<a href="#">3922842</a>	Hose Clamp	4	
<input type="checkbox"/>	21	<a href="#">3922844</a>	Hose Clamp	2	
<input type="checkbox"/>	22	<a href="#">3924386</a>	T-Bolt Clamp	4	
<input type="checkbox"/>	23	<a href="#">3905082</a>	Plain Hose	1	Not in this option structure
<input type="checkbox"/>	24	<a href="#">3929012</a>	Exhaust Manifold Gasket	6	
<input type="checkbox"/>	25	<a href="#">4019896</a>	Air Tube	1	
<input type="checkbox"/>	26	<a href="#">4019882</a>	Clamping Plate	2	

© 2019 Cummins Inc., Box 3005, Columbus, IN 47202-3005 U.S.A.  
 Terms of Use and Disclaimers | Recommended System Requirements  
 Need Assistance? Please click on the Contact Us button in the top right corner of any page.